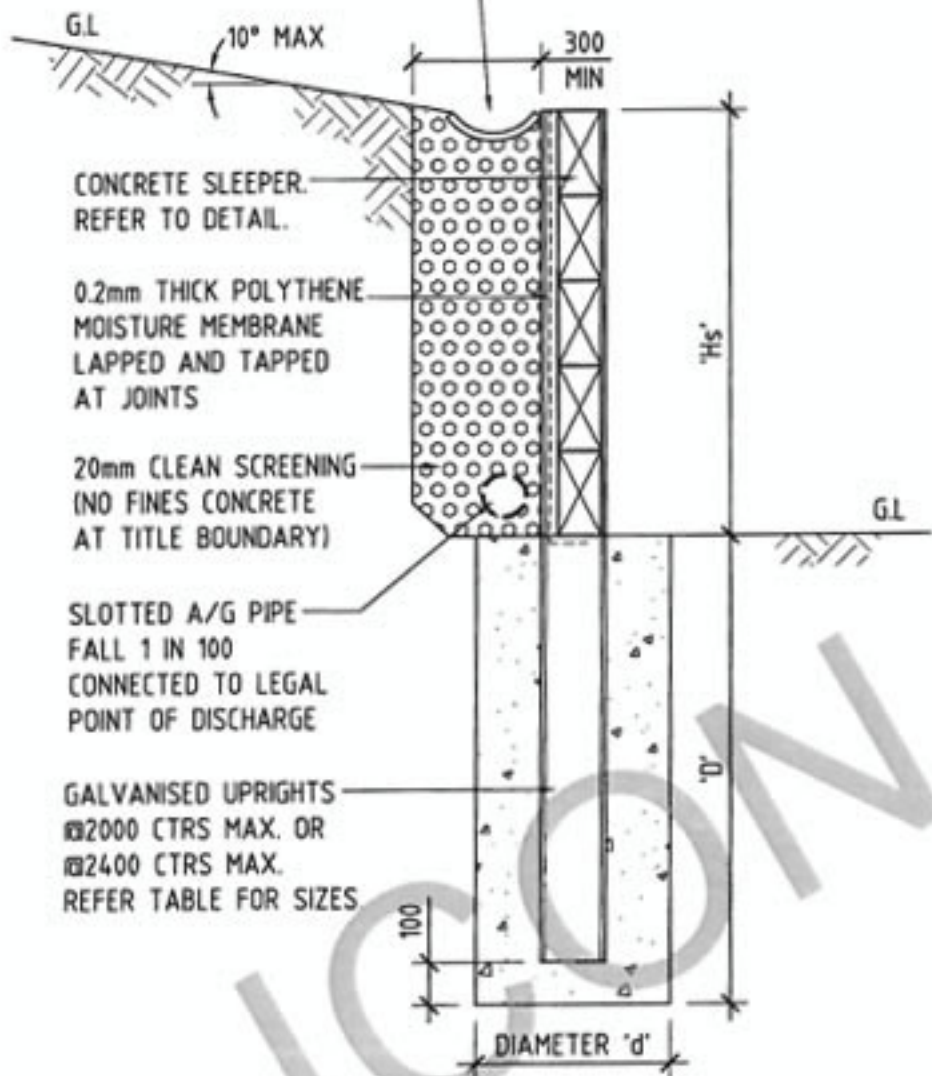
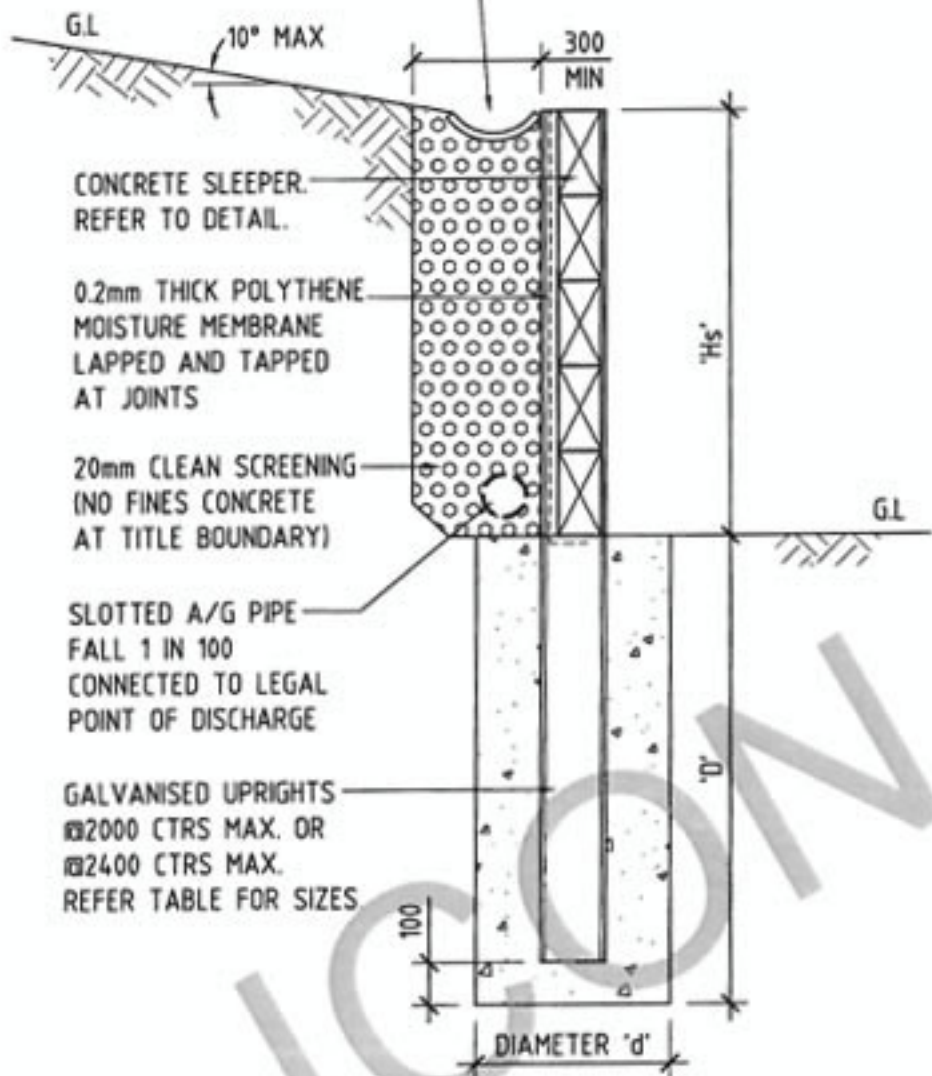


CONCRETE SPOON DRAIN BY OTHERS  
WHERE REQUIRED FOR SITE SPECIFIC  
REQUIREMENTS TO BE DETERMINED  
BY CONSULTING ENGINEER  
FALL 1 IN 100 AND CONNECTED TO  
LEGAL POINT OF DISCHARGE



TYPICAL SLEEPER RETAINING WALL DETAIL

CONCRETE SPOON DRAIN BY OTHERS  
WHERE REQUIRED FOR SITE SPECIFIC  
REQUIREMENTS TO BE DETERMINED  
BY CONSULTING ENGINEER  
FALL 1 IN 100 AND CONNECTED TO  
LEGAL POINT OF DISCHARGE



TYPICAL SLEEPER RETAINING WALL DETAIL